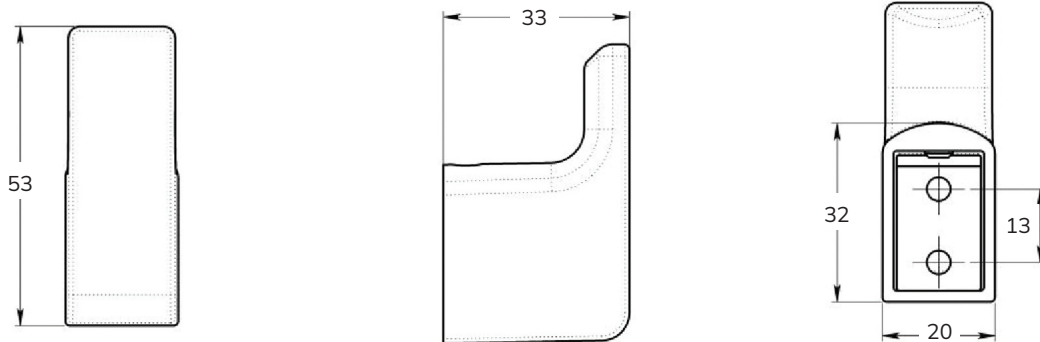


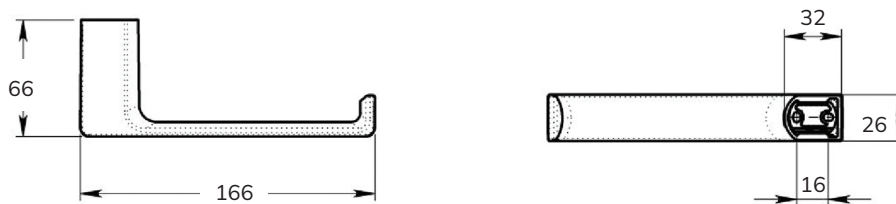
GENESIS Robe Hook

CODE	UA0032
MATERIAL	Cromall®
DIMENSIONS	See technical drawing
FIXINGS	Screw to wall fixings supplied



GENESIS Toilet Roll Holder

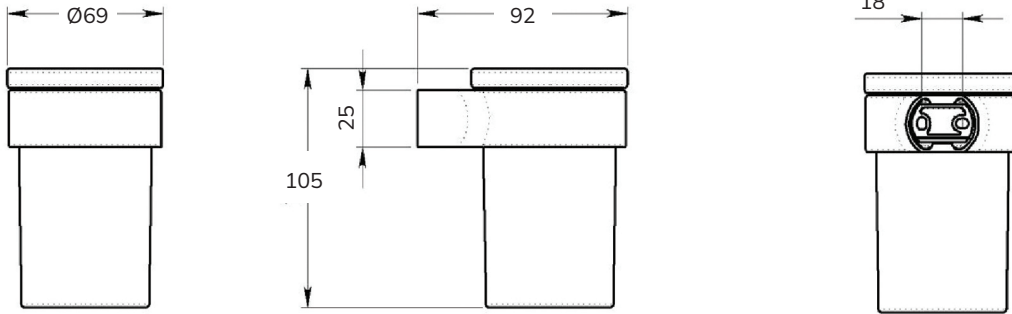
CODE	UA0031
MATERIAL	Wall plate in galvanised steel. Support in Cromall® Chromed AISI 201 stainless steel tube Chromed ABS roll stopper
DIMENSIONS	See technical drawing
FIXINGS	Screw to wall fixings supplied



GENESIS Toothbrush Holder

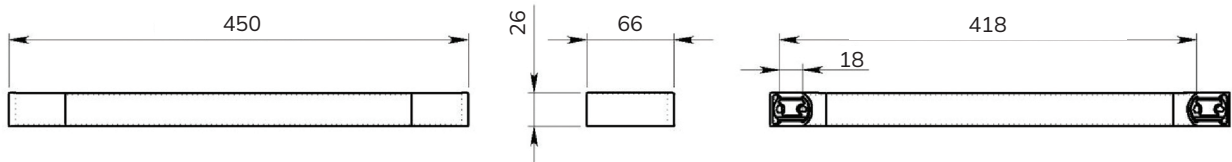
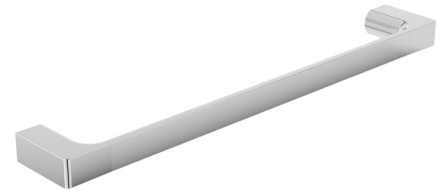


CODE	UA0035
MATERIAL	Wall plate, cover plate, support and ring in Cromall® Glass in frosted glass Translucent thermoplastic resins gasket
DIMENSIONS	See technical drawing
FIXINGS	Screw to wall fixings supplied



GENESIS Towel Rail

CODE	UA0034
MATERIAL	Chromed AISI 201 stainless steel rod Wall plates, cover plates and supports in Cromall®
DIMENSIONS	See technical drawing
FIXINGS	Screw to wall fixings supplied



GENESIS Towel Ring

CODE	UA0033
MATERIAL	Wall plate in galvanised Cromall® Cover and support in chromed Cromall® Chrome-plated AISI 201 stainless steel tube
DIMENSIONS	See technical drawing
FIXINGS	Screw to wall fixings supplied

