

ARC Single Ended Bath

Bath panel included, Baths are undrilled for tap holes,
Taps and waste not included

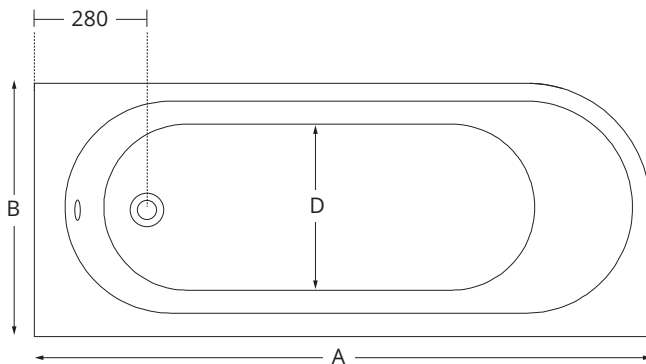
MATERIAL	Acrylic
FIXING	Supporting leg set provided
DIMENSIONS	See table and technical drawing below
STANDARDS	EN14516, DOP-SON-003/19



Left hand shown



A: Length	B: Width	C: Base Length	D: Base Width	E: Internal Depth	Capacity	Code(Left Hand)	Code(Right Hand)
1500	700	1000	440	400	162 ltrs	SANARC15WHL	SANARC15WHR
1600	700	1100	440	400	174 ltrs	SANARC16WHL	SANARC16WHR
1700	700	1200	440	400	174 ltrs	SANARC17WHL	SANARC17WHR
1800	800	1300	540	400	195 ltrs	SANARC18WHL	SANARC18WHR



Right hand shown

