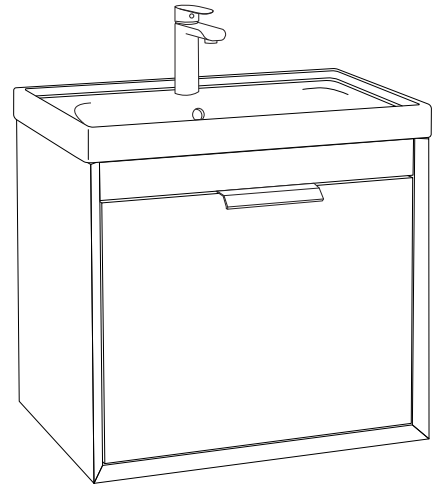


## FJORD 60cm Wall Hung

Two Drawer Vanity Unit with Ceramic Basin

Soft close mechanism

Internal 2nd drawer with push to open



<b>MATERIAL</b>	Fascia, Drawer Fronts, Top, Bottom & Side Panels are constructed using 18mm MDF PU Lacquered Finish, Soft Close, Quick Release Metal Drawers – adjustable +/- 5mm
<b>WEIGHT</b>	40.8Kg
<b>FIXINGS</b>	Metal Hangers - Fixing kit supplied
<b>STANDARD</b>	Washbasin – EN14688, DOP-SON-002/19 Unit – FSC Certified

